



Muto Premium XL150

Muto Comfort L80

Synchro for Ceiling/Wall mounts Less Dormotion
(Wood door)

Installation instructions

936031 – 05-2018

| EN |

dormakaba 

Table of contents

1	Technical specifications	3
1.1	Overview	3
	1.1.1 General information	3
	1.1.2 Intended use	3
	1.1.3 Door requirements and fittings	3
	1.1.4 Safety instructions	3
	1.1.5 Symbols used - Safety/Installation	3
	1.1.6 Maintenance, care, repair	3
	1.1.7 Disposal	3
1.2	Specifications - technical data	4
2	Installation instructions	4
2.1	Overall	4
2.2	Install synchro track wheels	5
2.3	Install cable height guides	6
2.4	Install cable clamps	7
2.5	Install cable	8
2.6	Thread cable	9
2.7	Install cable locking clamps	9
2.8	Cable tension adjustment	10
2.9	Door gap	11
2.10	Secure cable to cable clamps	11
2.11	Engaging anti-jump	12
2.12	Install cover	12

1 Technical specifications

1.1 Overview

These instructions are for installation of MUTO PREMIUM and COMFORT sliding door system XL150 / L80 Synchro for wood doors for the following mounting and style versions:

1. Ceiling and Wall mount

1.1.1 General information

- dormakaba glass hardware is not suitable for application in rooms where chemicals (e.g. chlorine) are used as indoor swimming pools, saunas or salt-water pools.
- Never move sliding panels faster than walking speed and always stop the door manually before it reaches end position.
- Do not slide doors with excessive force. Install limiting stop to prevent door from opening too far.

1.1.2 Intended use

- For sliding door in dry indoor areas only
- For manual slowly opening and closing only

1.1.3 Door requirements and fittings

- The substructure/wall must be able to bear permanent loads and be level (max. tolerance: 1/16" [2] per 39" [1m]).
- Fasteners must be sufficiently dimensioned for the substructure/wall and weight of the door.
- When adjusting door components, always stick to the required clearance for the respective hardware.

1.1.4 Safety instructions

- Installation requires two people.
- Only properly qualified and specially trained staff are authorized to mount dormakaba glass hardware.

1.1.5 Symbols used - Safety/Installation



CAUTION

Mounting components must meet the requirements of substructure/wall and door weight. Please read the technical information for fittings.



WARNING



TIPS AND RECOMMENDATIONS

Information note



CLOSING EDGE

1.1.6 Maintenance, care, repair

- Immediately replace damaged parts.
- Always use original dormakaba parts.
- Clean clamping area with alcohol-based standard commercial cleaning agent before mounting the glass hardware.
- Use a damp cloth for occasional cleaning, especially the track.
- Always use silicone - and oil-free cleaners (e.g. acetone).
- Check door hardware at regular intervals for proper positioning and smooth operation and correct adjustment.
- High traffic door systems require inspection by properly qualified staff (specialized companies or installation firms.)

1.1.7 Disposal

Disposal in accordance with local, state and national regulations.

1.2 Specifications - technical data

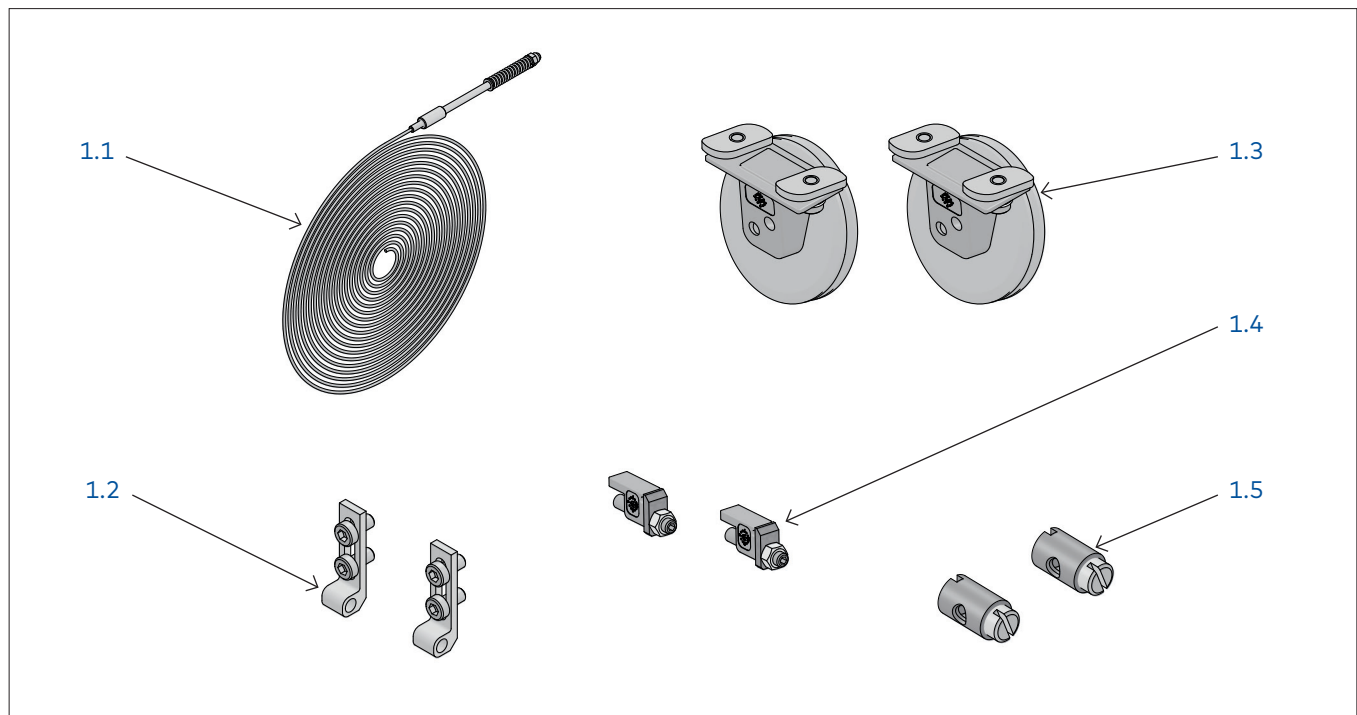
		Double Door	
		XL150	L80
Ceiling mount	Door leaf weight lbs [kg]*	2 x ≤330lbs [2 x ≤150]	2 x <176lbs [2 x ≤80]

* Including weight of auxiliary hardware.

2 Installation instructions

2.1 Overall

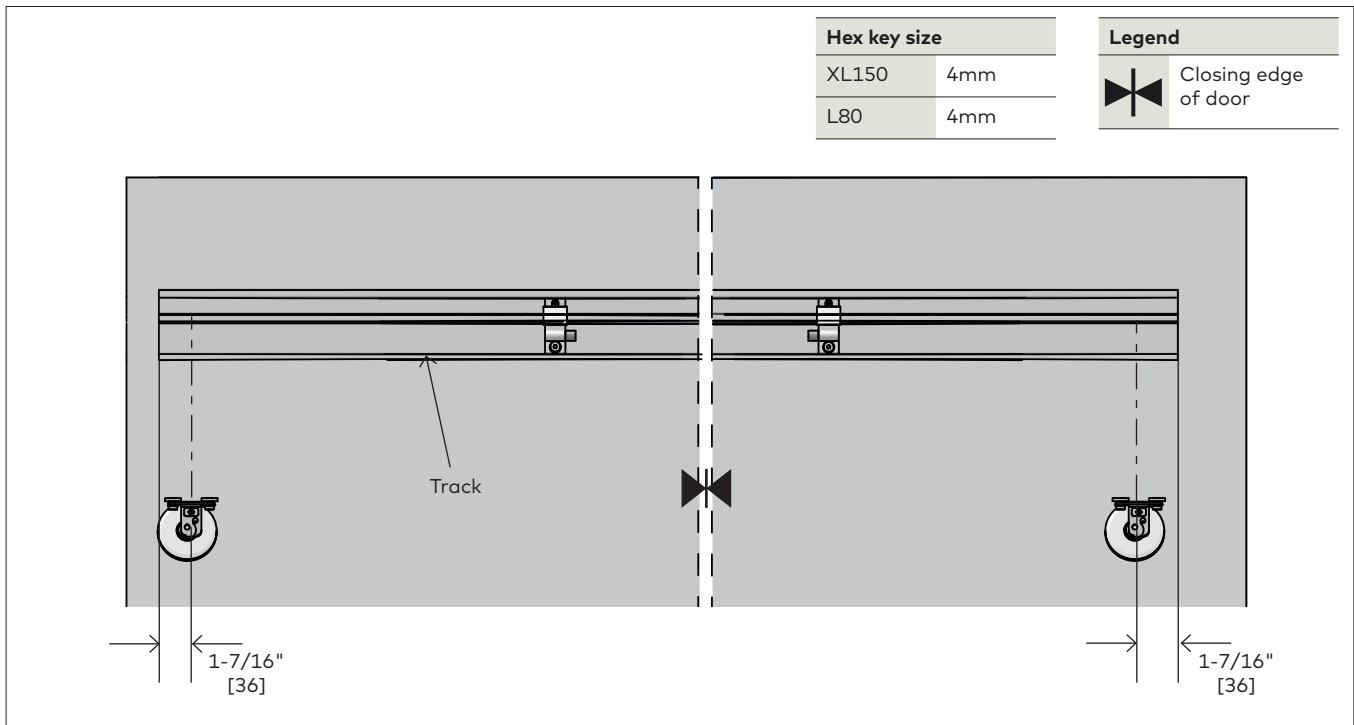
Fig. 1



- 1.1 Cable
- 1.2 Cable height guides
- 1.3 Wheels
- 1.4 Cable clamps
- 1.5 Cable locking clamps

2.2 Install synchro track wheels

Fig. 2



2.2.1 Place wheels toward ends of track.

2.2.2 Move to correct position.

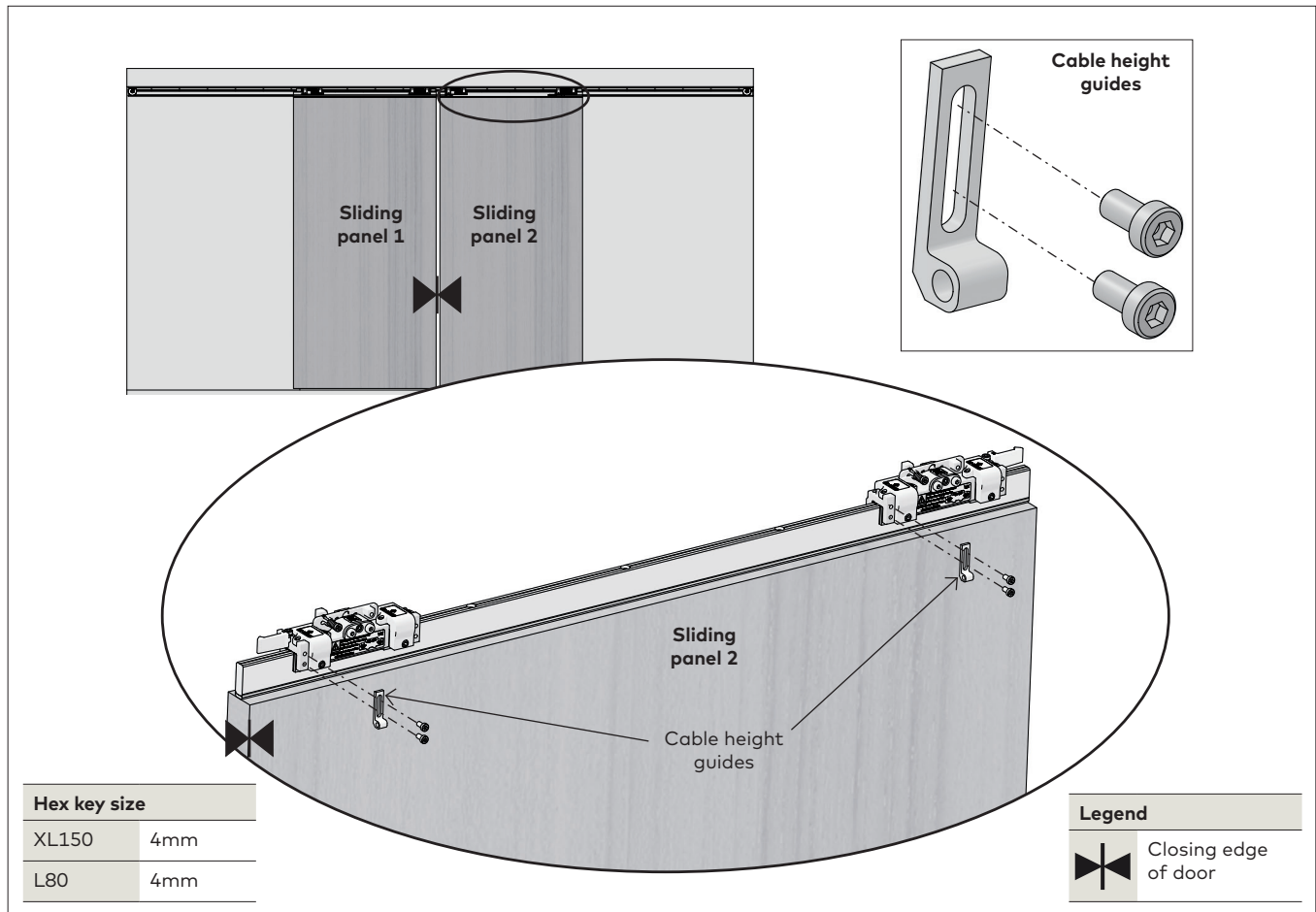
2.2.3 To engage plates, rotate inside track.

2.2.4 Tighten screws.

- Use 4mm hex key at 2.2 ft lbs [3Nm] of force.

2.3 Install cable height guides

Fig. 3

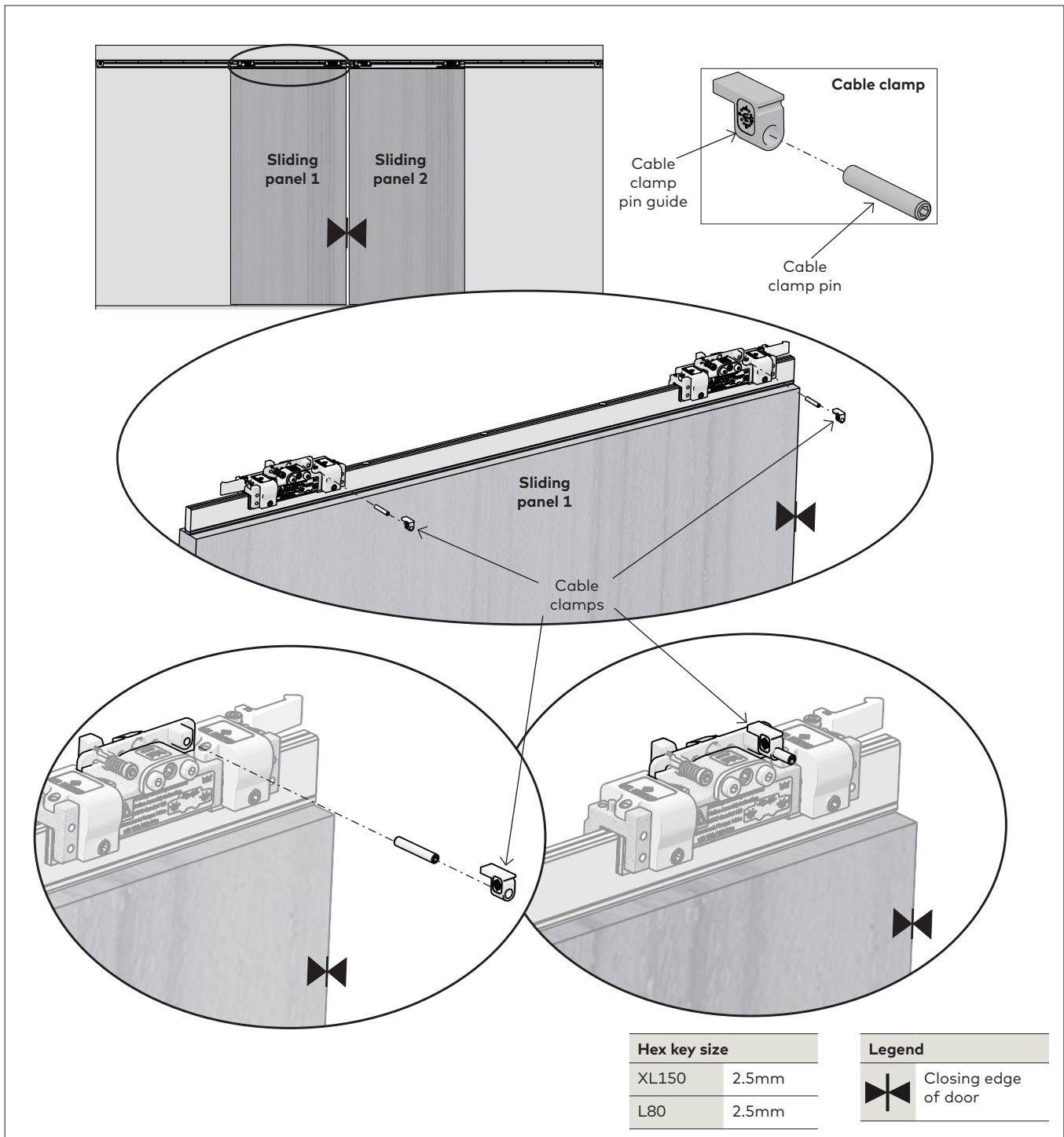


2.3.1 Loosely secure cable height guides to ends of carriers.

- Secure on side of carrier closest to closing edge of door.

2.4 Install cable clamps

Fig. 4

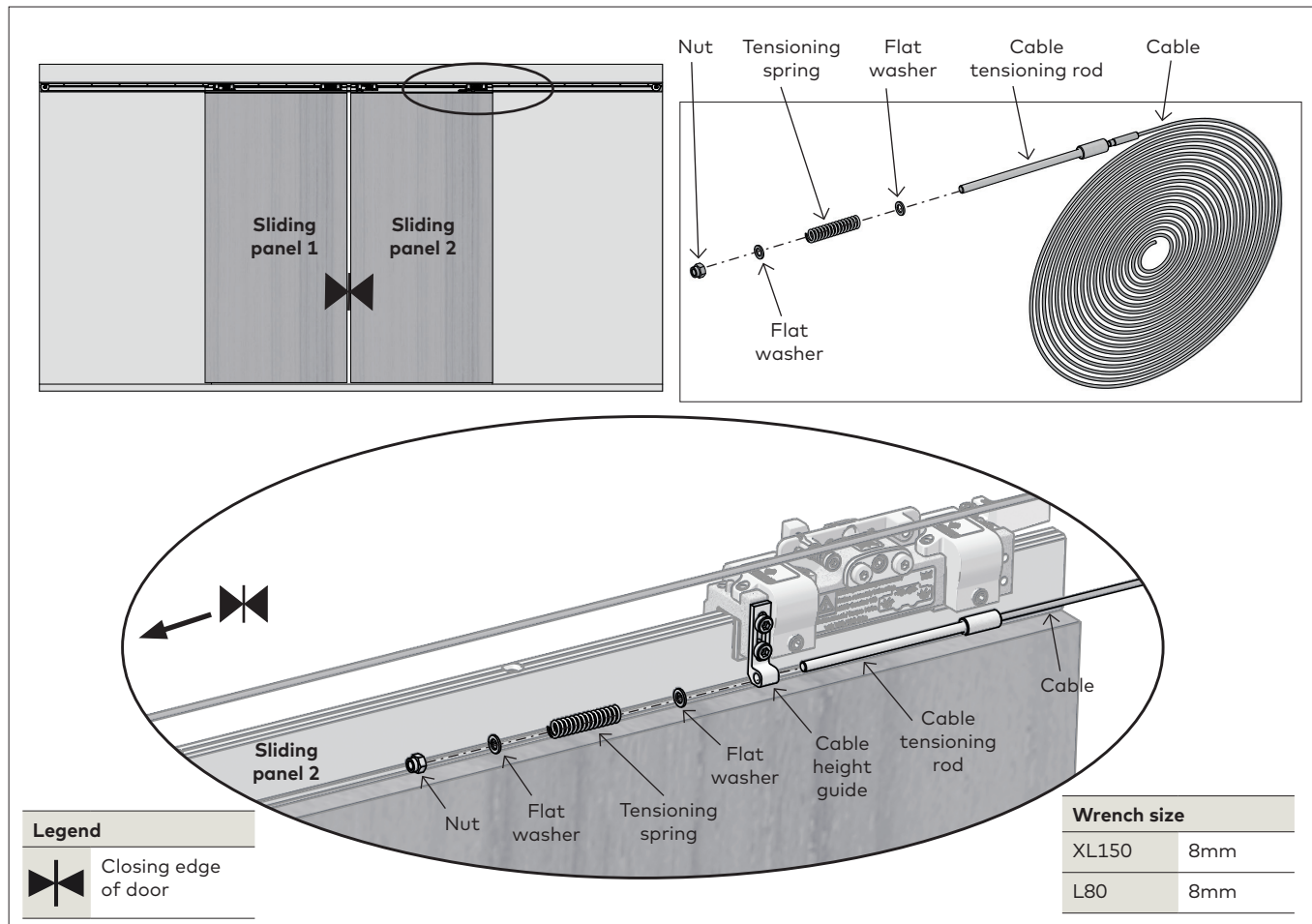


2.4.1 Secure cable clamp pin and cable clamp pin guide into carrier as shown.

Secure on side of carrier closest to closing edge of door.

2.5 Install cable

Fig. 5

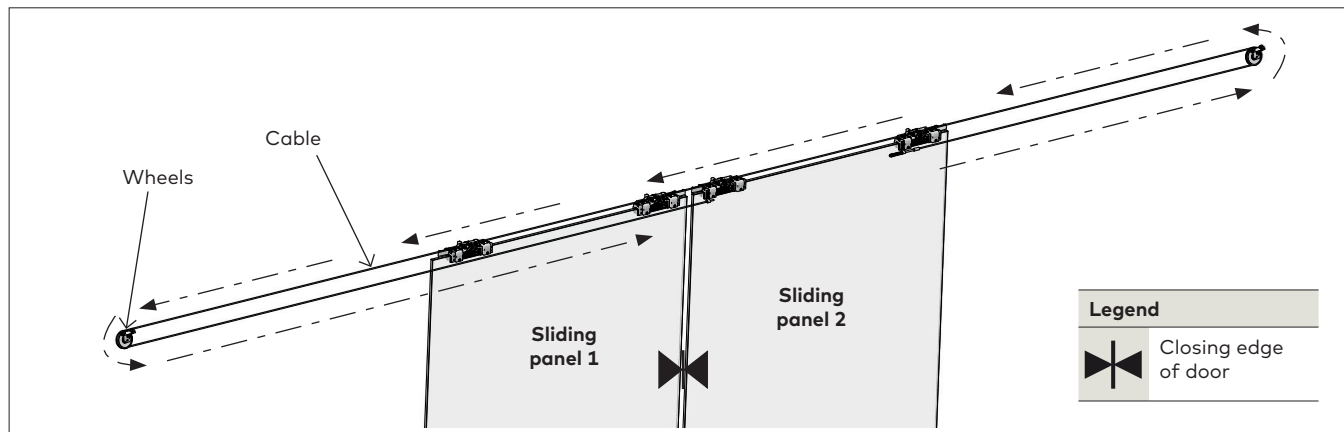


- 2.5.1 Disassemble cable and tensioning spring parts.
- 2.5.2 Place felt grease/lubricant onto cable tensioning rod.
- 2.5.3 Thread rod through cable height guide as shown.

- 2.5.4 Secure spring to rod in the following order:
 - **Nut - Flat washer - Spring - Flat washer - Guide**
 - Use an 8mm wrench to tighten nut.

2.6 Thread cable

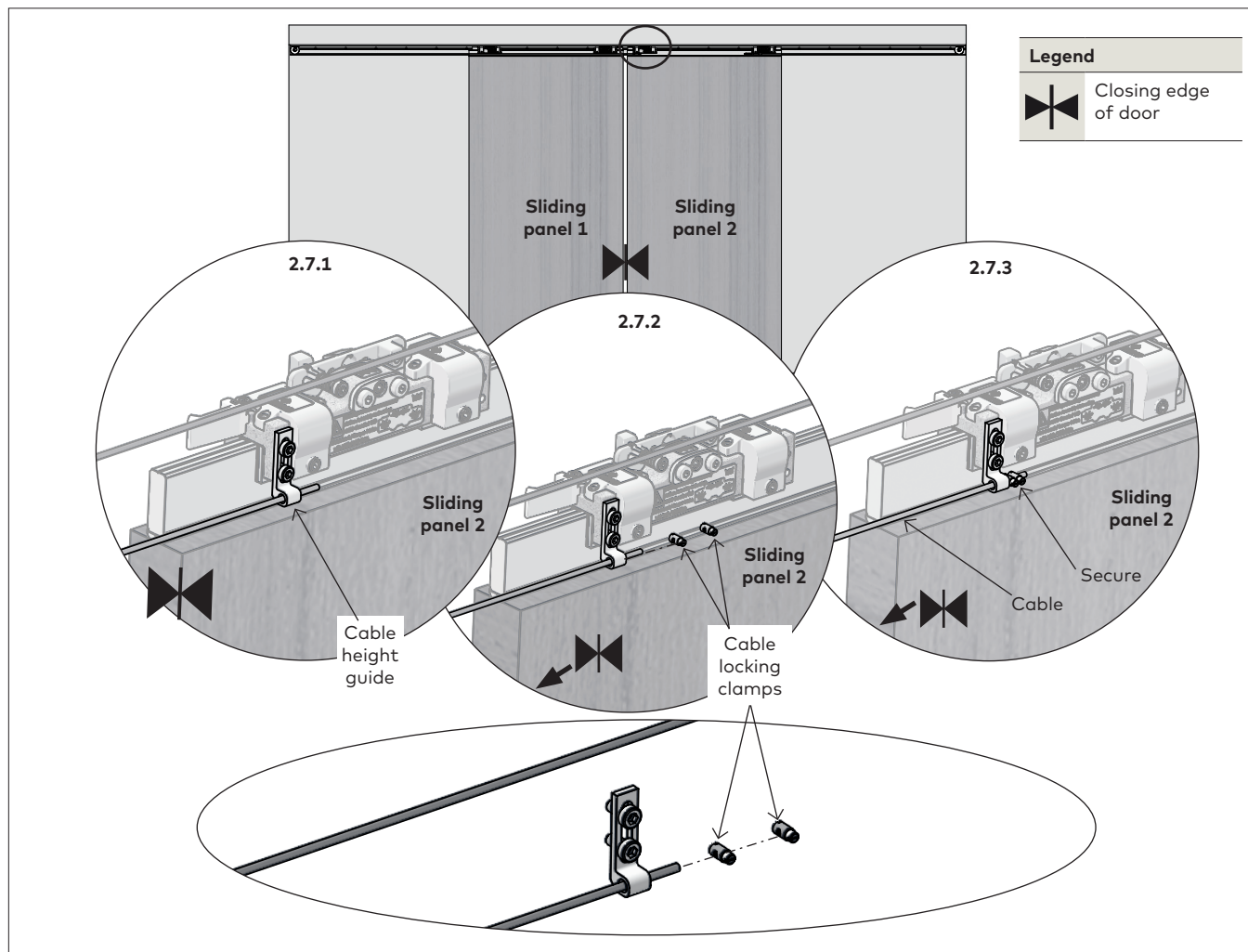
Fig. 6



2.6.1 Thread cable around wheels in direction as shown.

2.7 Install cable locking clamps

Fig. 7



2.7.1 Feed end of cable through other cable height guide.

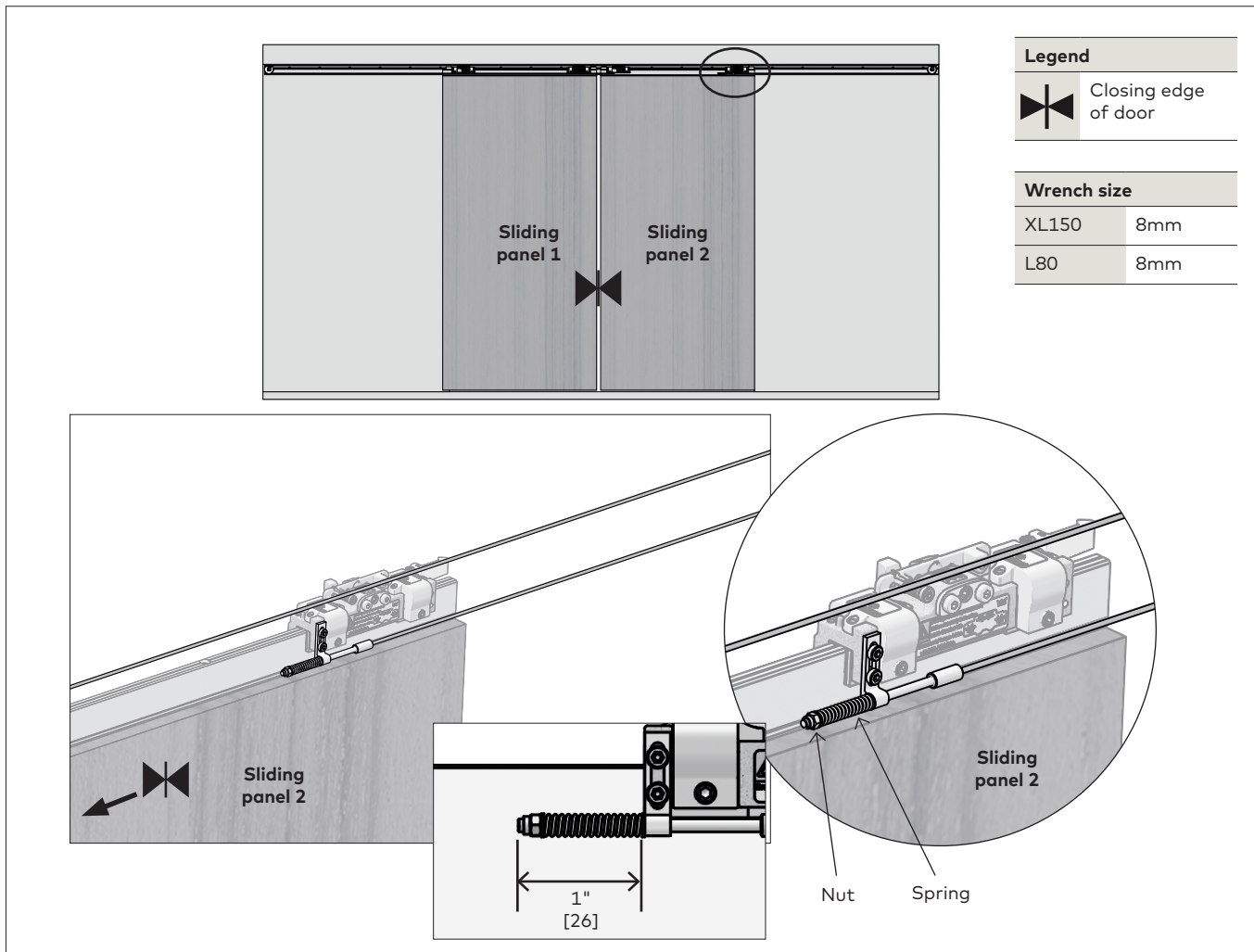
2.7.2 Secure with two cable locking clamps.

2.7.3 Hold cable tight and tighten clamp with flat head screw driver.

NOTE: Ensure there is no slack in the cable.

2.8 Cable tension adjustment

Fig. 8



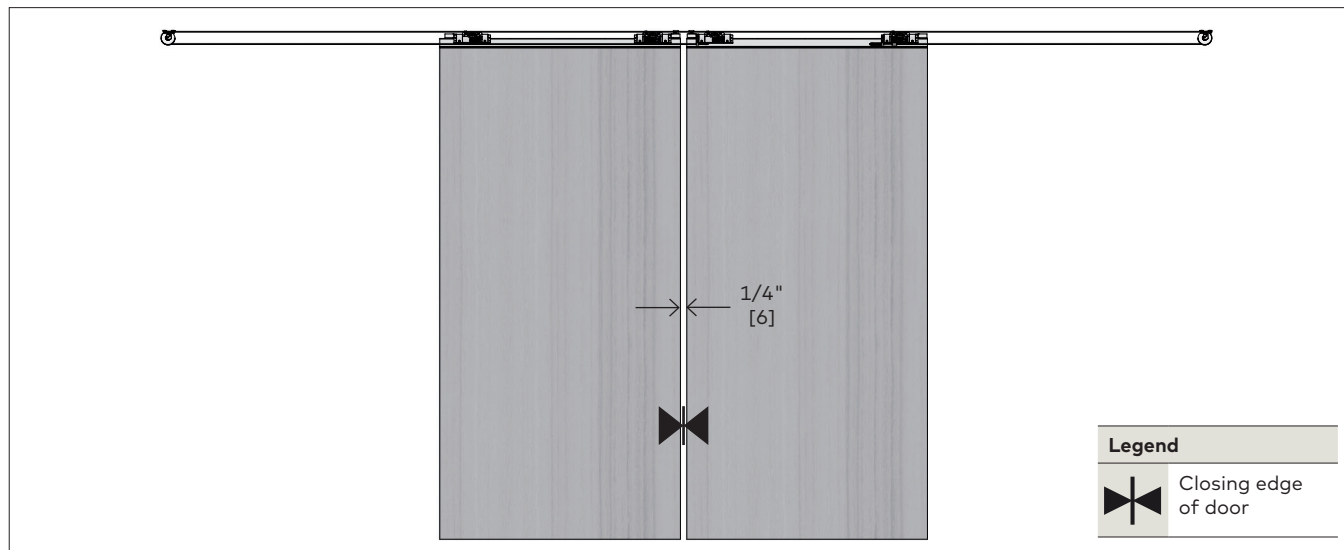
2.8.1 Adjust tension in cable.

2.8.2 Use 8mm wrench to rotate nut and compress or expand spring.

- Compress (CW) = more tension
- Expand (CCW) = less tension
- Minimum spring compression = 1" [26]

2.9 Door gap

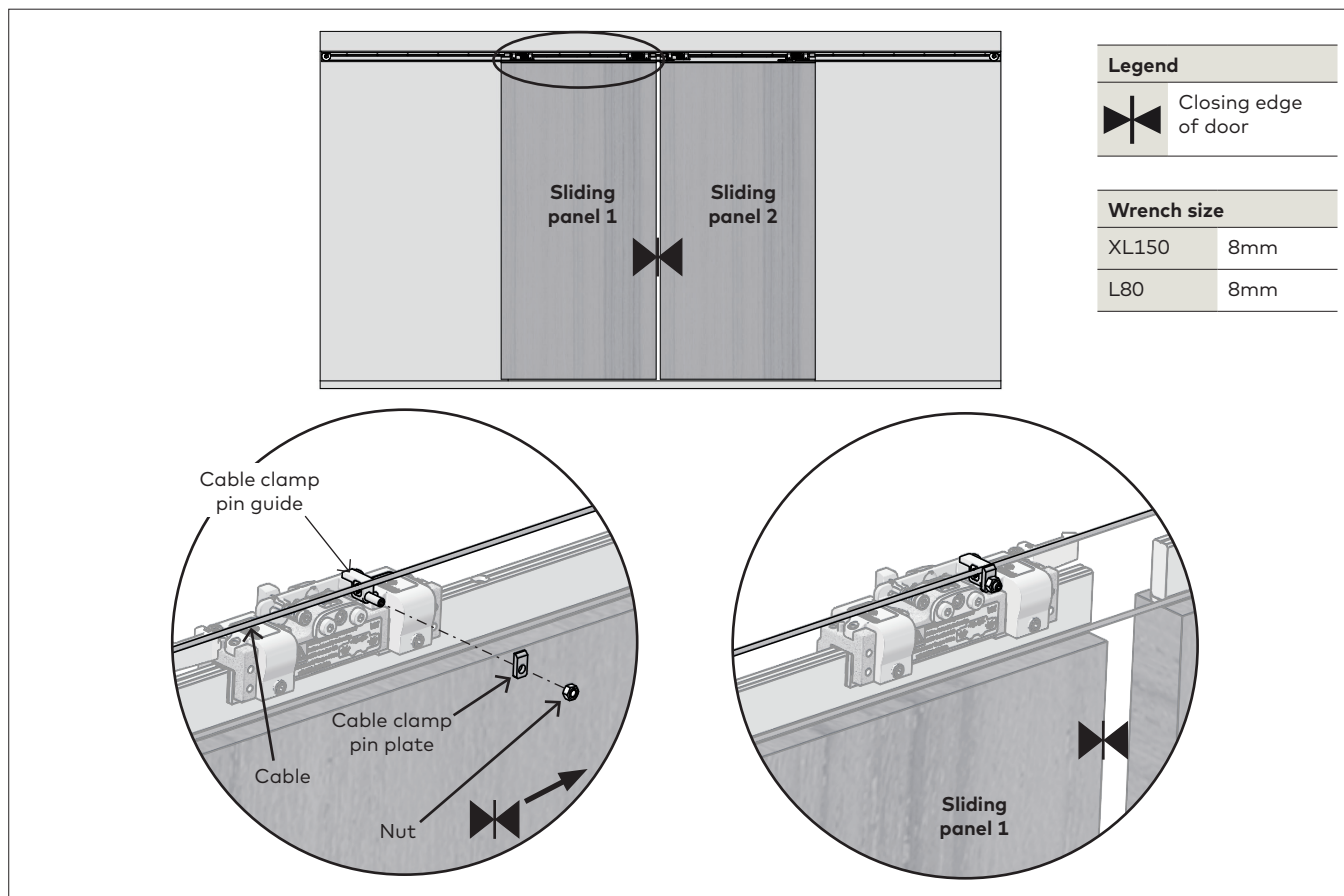
Fig. 9



2.9.1 Ensure 1/4" [6] gap between the doors.

2.10 Secure cable to cable clamps

Fig. 10



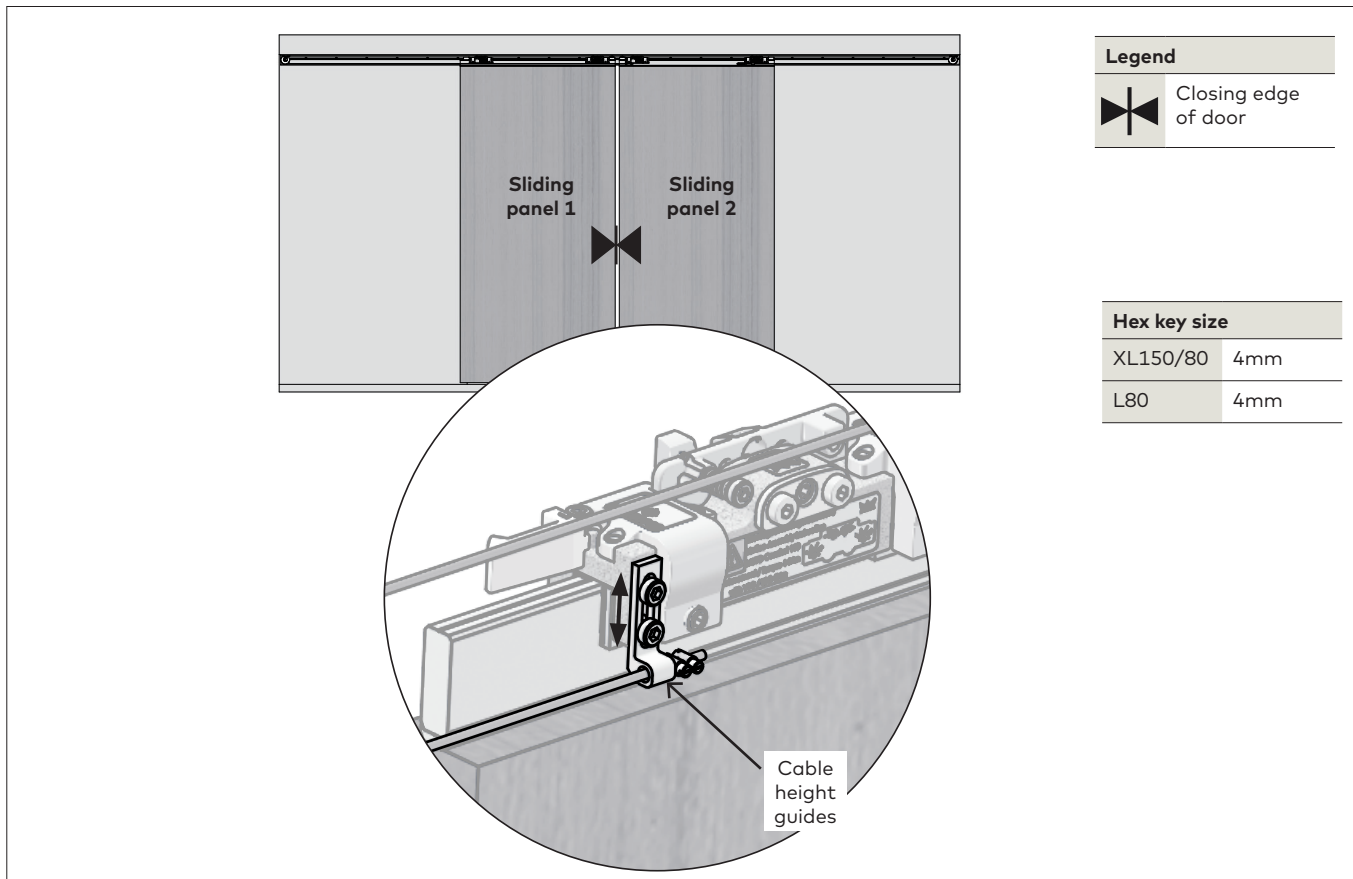
2.10.1 Secure cable to rollers carriers.

2.10.2 Pinch cable between cable clamp pin guide and cable clamp pin plate.

2.10.3 Secure with nut.

2.11 Engaging anti-jump

Fig. 11



2.11.1 Adjust cable height.

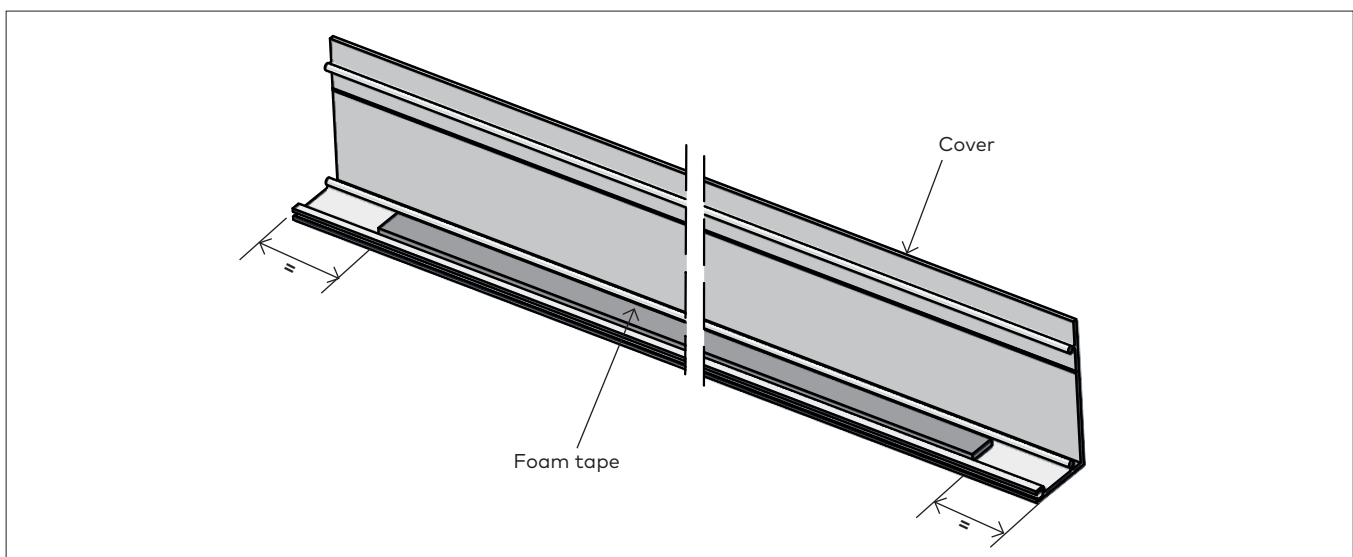
2.11.2 Loosen screws.

2.11.3 Raise or lower height guides to desired height.

2.11.4 Re-secure at 2.2 ft lbs [3Nm] of force.

2.12 Install cover

Fig. 12



2.12.1 Place foam tape along inside edge of cover.

